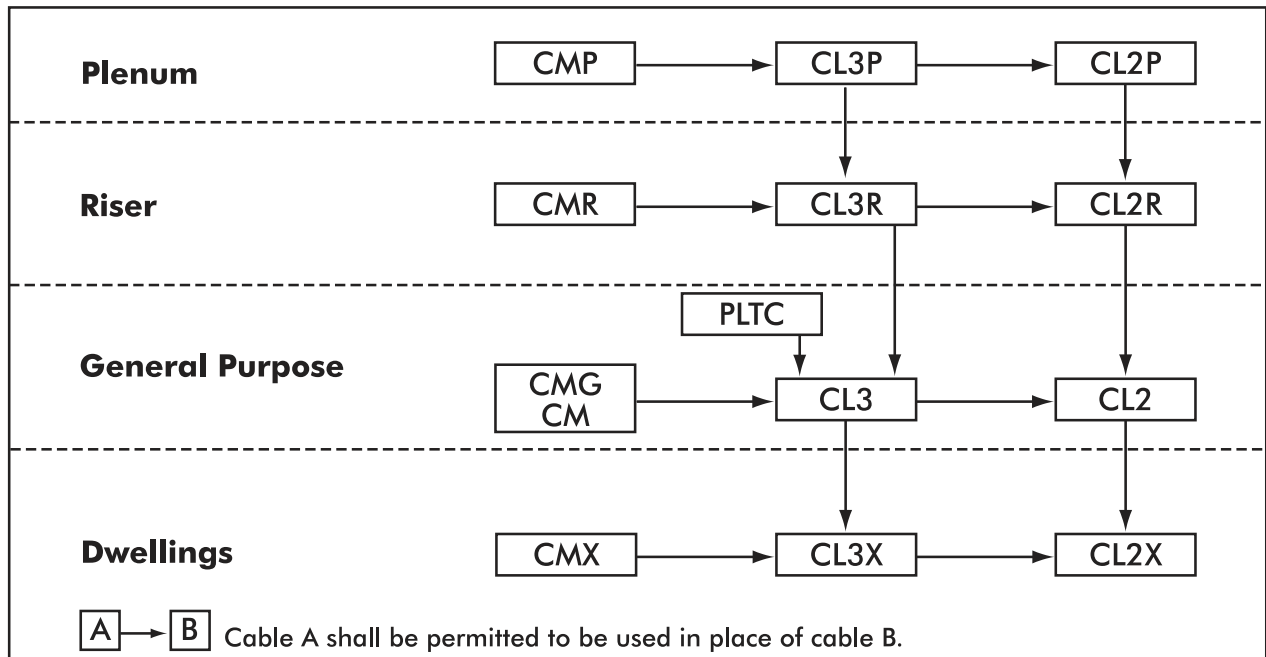


Appendix E: NEC Cable Substitution Hierarchy



Cable Uses and Permitted Substitutions

Cable Type	Use	Permitted Substitutions
CMP	Communications plenum cable	MPP
CL3P	Class 3 plenum cable	CMP
CL2P	Class 2 plenum cable	CMP, CL3P
CMR	Communications riser cable	*CMP, MPP, MPR
CL3R	Class 3 riser cable	CMP, CL3P, CMR
CL2R	Class 2 riser cable	CMP, CL3P, CL2P, CMR, CL3R
PLTC	Power-limited tray cable	-----
CMG	Communications cable, general purpose	*CMP, CMR, CM, MPP, MPR, MPG, MP
CM	Communications cable, general purpose	*CMP, CMR, CMG, MPP, MPR, MPG, MP
CL3	Class 3 cable	CMP, CL3P, CMR, CL3R, CMG, CM, PLTC
CL2	Class 2 cable	CMP, CL3P, CL2P, CMR, CL3R, CL2R, CMG, CM, PLTC, CL3
CMX	Communications cable, limited use	*CMP, CMR, CMG, CM, MPP, MPR, MPG, MP
CL3X	Class 3 cable, limited use	CMP, CL3P, CMR, CL3R, CMG, CM, PLTC, CL3, CMX
CL2X	Class 2 cable, limited use	CMP, CL3P, CL2P, CMR, CL3R, CL2R, CMG, CM, PLTC, CL3, CL2, CMX, CL3X

* Substitution allowed by Article 800 only

Plenum - Cables installed in ducts, plenums, and other spaces used for environmental air.

Riser - Cables installed in vertical runs and penetrating more than one floor, or cables installed in vertical runs in a shaft.

General Purpose - For use in locations other than risers or plenums.

Dwellings - Cables for use in one, two, or multi-family dwellings and in raceways.

Information taken from Articles 800 and 725 of the 2008 National Electrical Code. Please consult these articles for details regarding specific applications.